



## Excavator SWE 18UB



Operating Weight	1.88t(rubber track)
Engine Power	14.7kW/2200rpm
Engine Brand	PERKINS
Standard Bucket Capacity	0.04m <sup>3</sup>
Max. Digging Depth	2.20m

### Excavator SWE18UB

#### Parameter

##### ENGINE

Brand	PERKINS
Model	403D-11
Type	3-cylinder water-cooled indirect injection
Displacement	1.1L
Power	14.7kW/2200rpm

##### DIMENSIONS

Counterweight Clearance	436mm
Tail Swing Radius	680mm
Shipping Length	3582mm
Shipping Width	990mm
Shipping Height	2415mm

##### ELECTRIC SYSTEM

Nominal Voltage	12V
Batteries	60Ah
Alternator	12V-40A
Starter	12V-1.4kW

##### WORKING RANGES

Max. Cutting Height	3458mm
Max. Loading Height	2431mm
Max. Digging Depth	2206mm
Max. Vertical Wall Digging Depth	1590mm
Max. Digging Reach	3942mm
Max. Reach at Ground Level	3848mm
Bucket Digging Force	22.7kN
Stick Digging Force	11.24kN
Ground Pressure	30.3kPa
Swing Speed	10rpm

##### DRIVE

Max.Travel Speed (2nd/1st)	3.5/2.0km/h
Gradeability	30°
Max. Traction	16.7kN

##### UNDERCARRIAGE

Undercarriage Width	990/1320mm
Shoe Width	230mm
Length to Center of Rollers	1210mm
Track Length	1538mm
Track Height	352mm

##### CAPACITY

Fuel Tank	21L
Hydraulic Oil Tank	17L

##### BULLDOZING BOARD

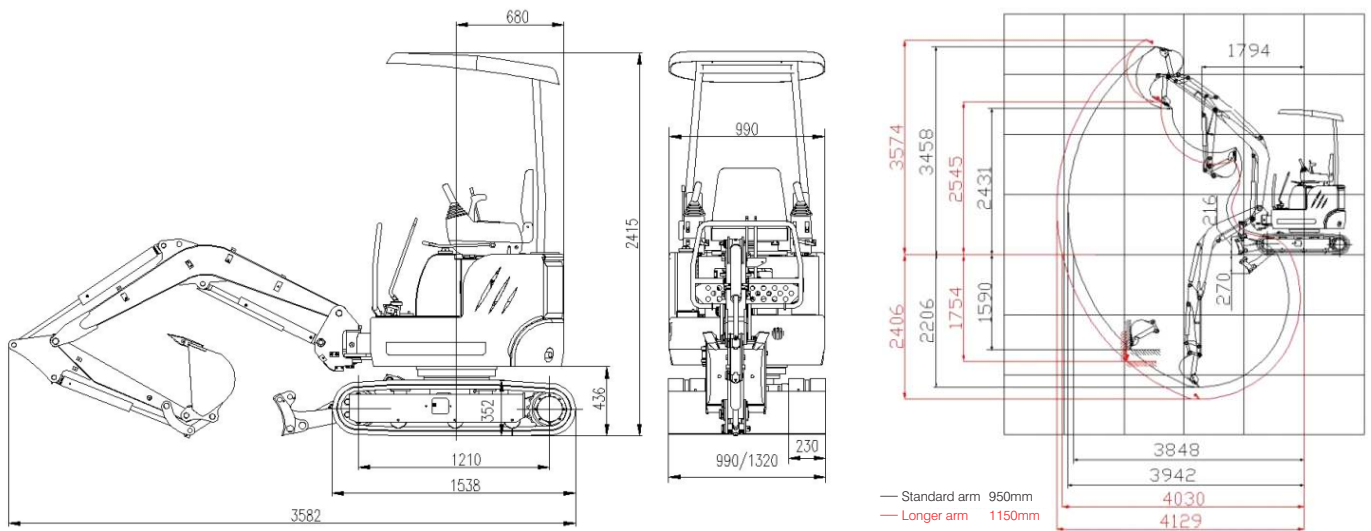
independent moving, controlled by the gear shift lever	
Length X Width	1320X267mm
Max. Lifting Height	216mm
Max. Cutting Depth	270mm

##### HYDRAULIC SYSTEM

Main Pumps	
Type	2 variable displacement pumps, 1 gear pump
Displacement	2x21 + 15 L/min
Working Pressure	20/18 MPa

# Excavator SWE 18UB

## Working Ranges



## Load Capacity (standard arm: 0.95m)

B(m)	A(m)	MAX		3.0m		2.5m		2.0m	
		Front(kg)	Side(kg)	Front(kg)	Side(kg)	Front(kg)	Side(kg)	Front(kg)	Side(kg)
2.5		220.10*	224.90*	205.80*	215.40*	—	—	—	—
2.0		220.10*	224.90*	220.10*	224.90*	244.10*	244.10*	—	—
1.5		239.30*	234.50*	244.10*	239.30*	263.20*	258.40*	335.00*	335.00*
1.0		229.70*	234.50*	244.10*	248.90*	272.80*	296.70*	368.50*	406.80*
0.5		234.50*	239.30*	272.80*	272.80*	349.40*	349.40*	473.80*	464.20*
0.0		258.40*	258.40*	268.00*	277.60*	325.40*	354.10*	449.90*	469.00*
-0.5		263.20*	258.40*	263.20*	258.40*	325.40*	315.90*	469.00*	449.90*
-1.0		253.60*	253.60*	—	—	272.80*	263.20*	368.50*	358.90*

## Notes:

- 1) Load with \* is limited by hydraulic capacity and based on ISO 10567. Rated loads do not exceed 87% of hydraulic capacity.
- 2) Load without \* is limited by tipping load and based on ISO 10567. Rated loads do not exceed 75% of tipping load.

